



PRODUCT OVERVIEW

AUW-0012

Wall-Mounted Toilet Brush Holder

<p>WIDTH</p> <p>92 mm</p>	<p>DEPTH</p> <p>131 mm</p>
<p>HEIGHT</p> <p>388 mm</p>	<p>INSTALLATION</p> <p>Wall-mounted</p>
<p>MATERIAL</p> <p>Stainless steel handle</p>	

PRODUCT SPECS

01

- Wall-mounted toilet brush holder
- Modern bathroom accessory design
- Stainless steel finish
- Suitable for home and hotel installations
- Product dimensions: 13.1 x 9.2 x 38.8 cm
- Specific use: Bathroom

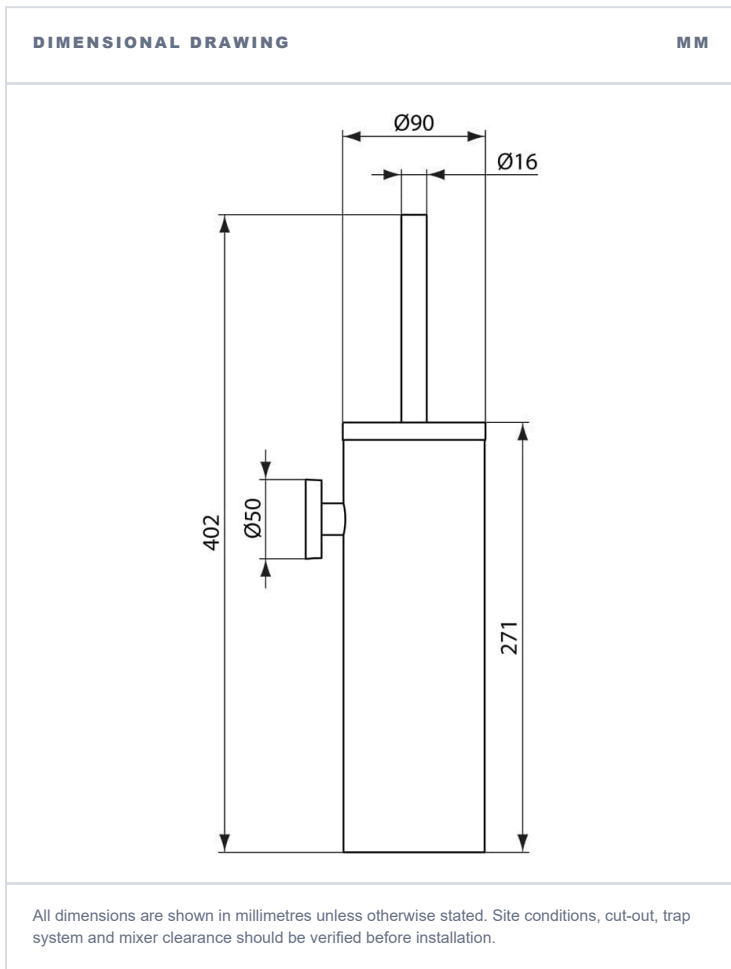
FINISH VARIANTS

02

	<p>Bright Silver – Brushed</p>	<p>AUW-0012-BS</p>
---	---------------------------------------	--------------------

PRODUCT DESCRIPTION

Wall-mounted toilet brush holder with a modern bathroom accessory design and stainless steel finish. Suitable for home and hotel bathroom installations.



TECHNICAL DATA

03

Product type	Toilet brush holder
Installation	Wall-mounted
Material	Stainless steel handle
Surface	Stainless steel finish
Width	92 mm
Depth	131 mm
Height	388 mm
Dimensions	13.1 L x 9.2 W x 38.8 H cm
Colour	Stainless Steel
Finish	Stainless steel finish
Handle material	Stainless steel
Specific use	Bathroom

CODES & STANDARDS

04

