



**PRODUCT OVERVIEW**

Empire Slim Robe Hook - Urban Brass

<p><b>WIDTH</b> 45 mm (projection)</p>	<p><b>DEPTH</b> 45 mm</p>
<p><b>HEIGHT</b> 70 mm</p>	<p><b>INSTALLATION</b> Wall-mounted</p>
<p><b>MATERIAL</b> Stainless steel</p>	<p><b>SHAPE</b> Slim cylindrical hook</p>

**PRODUCT SPECS**

01

- Wall-mounted robe hook
- Urban Brass finish (PVD)
- Stainless steel body
- Projection: 45 mm
- Height: 70 mm
- Mount diameter: Ø25 mm
- Thickness: 5 mm

**FINISH VARIANTS**

02



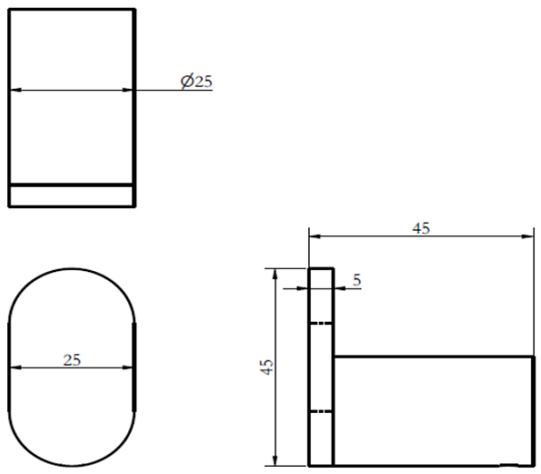
Urban Brass

UB

**PRODUCT DESCRIPTION**

Wall-mounted robe hook with slim modern design and Urban Brass PVD finish.

**DIMENSIONAL DRAWING** MM



All dimensions are shown in millimetres unless otherwise stated. Site conditions, cut-out, trap system and mixer clearance should be verified before installation.

**TECHNICAL DATA**

03

Product type	<b>Robe hook</b>
Installation	<b>Wall-mounted</b>
Material	<b>Stainless steel</b>
Shape	<b>Slim cylindrical hook</b>
Surface	<b>Urban Brass</b>
Width	<b>45 mm (projection)</b>
Depth	<b>45 mm</b>
Height	<b>70 mm</b>
Tap hole	<b>No</b>
Overflow	<b>No</b>
Waste hole	<b>Standard basin waste</b>
Projection	<b>45 mm</b>
Mount diameter	<b>Ø25 mm</b>
Thickness	<b>5 mm</b>

**CODES & STANDARDS**

04

